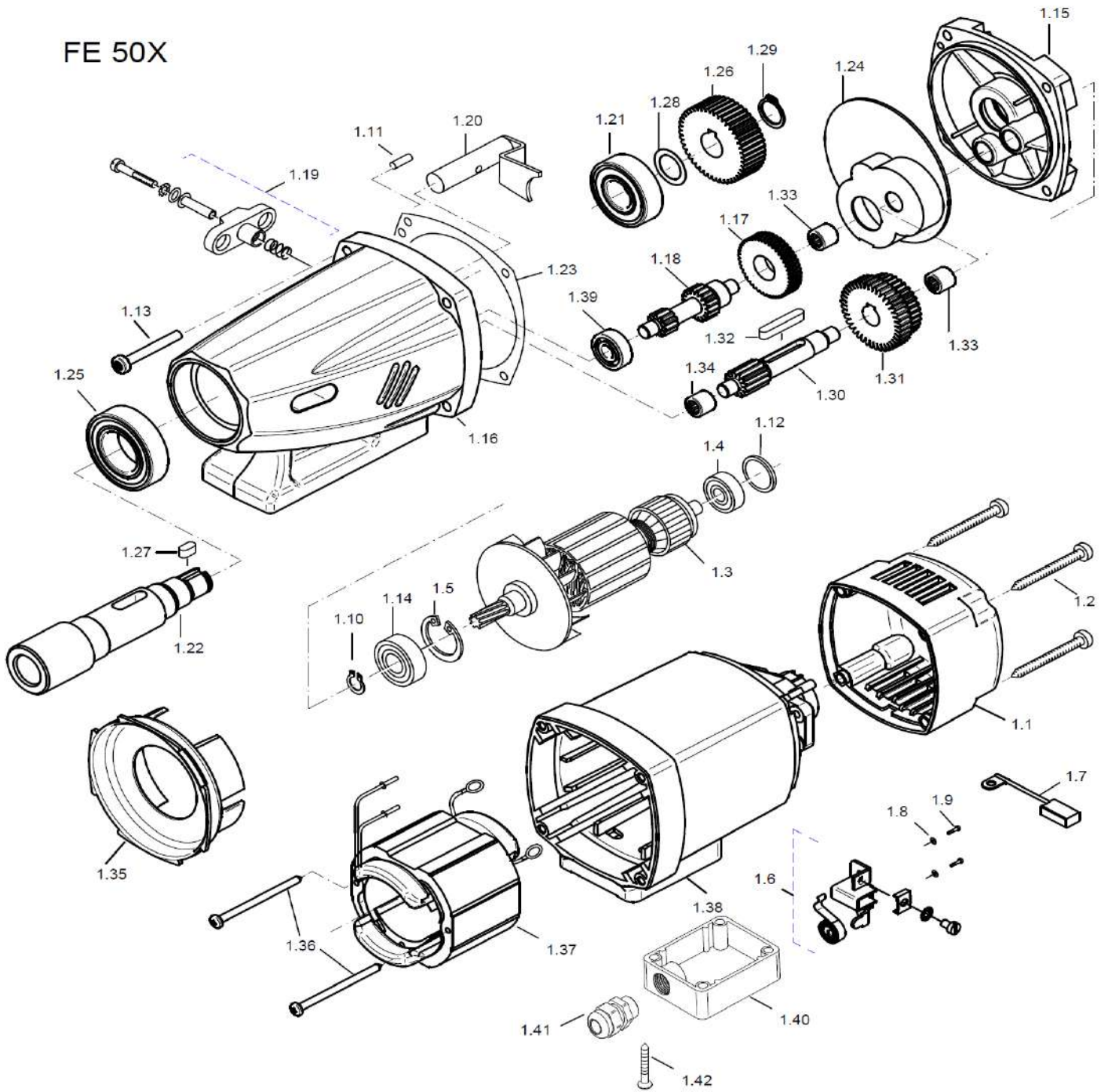


# Spare List 2015

## FE 50X Motor Unit

FE 50X



## Spare List 2015

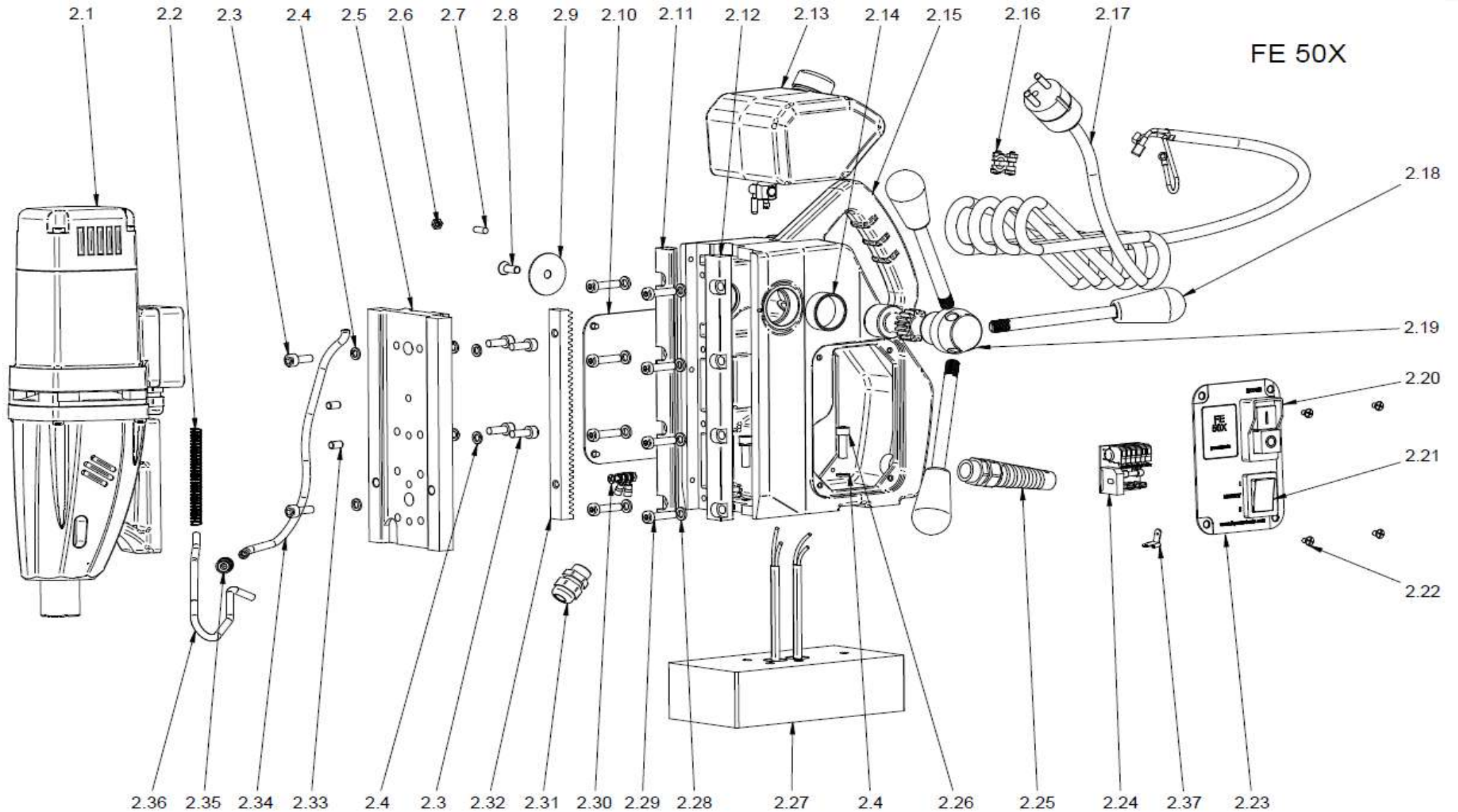
### FE 50X Motor Unit

Pos. Nr.	Article	Article Description	Pcs	Price / Ea
1.1	5010691	Motor cover	1	7,70 €
1.2	5010581	Screw HC 4,8x45 DIN 7981	4	0,77 €
1.3	5010651	Armature 230V	1	129,36 €
1.4	5010061	Ball bearing 608 2Z	1	6,16 €
1.5	5010271	Circlip 28x1,2 DIN 472	1	1,10 €
1.6	5010561	Carbon brush holder	2	7,70 €
1.7	5010571	Carbon brush 6,3x10x18	2	7,48 €
1.8	5013981	Spring washer B4 DIN 137	4	0,22 €
1.9	5013991	Threaded ridge screw ZM4x12	4	0,33 €
1.10	5010711	Circlip 11/1 DIN 471	1	0,44 €
1.11	5010291	Key M4x12 DIN 1474	1	0,44 €
1.12	5010591	O-Ring 22x2,5	1	0,66 €
1.13	5015231	PT-screw 50x40	4	1,54 €
1.14	5010081	Ball bearing 6001 2Z	1	11,66 €
1.15	5010731	Gearbox cover	1	44,22 €
1.16	5015331	Getriebegehäuse	1	53,46 €
1.17	5010541	Idler gear 34 T	1	21,56 €
1.18	5010421	Shaft with 2 Pinion 19/11 T	1	27,94 €
1.19	5010521	Gear switch complete	1	7,26 €
1.20	5010761	Clutch bolt complete	1	12,65 €
1.21	5010611	Ball bearing 6203 2RS	1	11,55 €
1.22	5013471	Spindle drive shaft	1	39,49 €
1.23	5015111	Gear seal	1	2,86 €
1.24	5010771	Grease chamber seal	1	2,31 €
1.25	5011191	Ball bearing 6005 2RS	1	16,28 €
1.26	5010621	Spindle gear 45 T	1	44,00 €
1.27	5010751	key A5x5x12 DIN 6885	1	1,76 €
1.28	5010531	Washer 15x22x0,2 DIN 988	1	1,10 €
1.29	5010721	Circlip 15/1 DIN 471	1	0,88 €
1.30	5010411	Shaft for gear block 13 T	1	33,00 €
1.31	5010632	Gear block 34/40 T	1	45,32 €
1.32	5010501	key A5x5x28 DIN 6885	1	1,76 €
1.33	5010351	Needle bushing HK 0810	2	6,49 €
1.34	5014591	Needle bushing DL 0810	1	8,91 €
1.35	5010641	Air guide	1	7,70 €
1.36	5010031	Screw HC 3,9x60 DIN 7981	2	1,10 €
1.37	5010671	Field 230V	1	55,66 €
1.38	5014861	Motor housing complete black	1	42,35 €
1.39	5010071	Ball bearing 608	1	4,40 €
1.40	6010391	Cover for motor cable	1	19,36 €
1.41	6012131	Screwed cable gland PG9	1	0,99 €
1.42	6010401	Screw 5x35t	4	0,44 €

# Ersatzteilpreislise 2015

## FE 50X Magnetbohrständer

## Explosionszeichnung



## Spare List 2015

### FE 50X Stand

Pos. Nr.	Article	Article Description	Pcs	Price / Ea
2.1	5045031	Motor complete 230V black	1	394,68 €
2.2	6012181	Motor cable protection	1	1,65 €
2.3	6010011	Hexagon socket screw head cap M6x16 DIN 912	6	0,44 €
2.4	6010021	Spring washer 6,1 DIN 7980	9	0,33 €
2.5	4000252	Slide	1	27,17 €
2.6	6010031	Hexagon nut M5 DIN 934	4	0,33 €
2.7	6015431	Hexagon socket set screw M5x12 DIN 913	4	0,44 €
2.8	6010232	Screw M6x16 ISO 10642	1	0,66 €
2.9	6010221	Fastening disc 10,5x35x1,5	1	10,78 €
2.10	7011641	Rear plate	1	6,49 €
2.11	6012252	Aluminum guide left	1	10,34 €
2.12	6012262	Aluminum guide right	1	10,34 €
2.13	4010241	Coolant container	1	12,65 €
2.14	3020005	Glide bearing 28x32x12	2	1,43 €
2.15	4010011	Housing	1	133,54 €
2.16	4010291	Strain-relief clamp	1	1,76 €
2.17	7010042	Main cable 230V	1	21,12 €
2.18	6010243	Handle	3	5,17 €
2.19	4010181	Gear shaft	1	23,54 €
2.20	7010801	Motor switch 230V	1	7,70 €
2.21	7010142	Magnet switch	1	6,38 €
2.22	7010081	Screw M4x8 DIN 966	4	0,33 €
2.23	7011632	Front plate	1	6,34 €
2.24	7010811	PCB board 110V + 230V	1	20,90 €
2.25	7010031	Screwed cable gland	1	4,18 €
2.26	6010091	Hexagon socket screw head cap M6x20 DIN 913	3	0,44 €
2.27	6010055	Magnet w/o indicator - 3 holes	1	88,44 €
2.28	6013441	Washer 6,4x11x1,6 DIN 433	8	0,33 €
2.29	6050141	Cylinder screw hexagon socket M6x25 DIN 7984	8	0,55 €
2.30	7010061	Earthing complete	1	1,54 €
2.31	6012131	Screwed cable gland PG9	1	0,99 €
2.32	6010081	Rack	1	17,82 €
2.33	4000101	Dowel pin 6m6x10 DIN 6325	2	0,44 €
2.34	ZSS 200SL	Hose, blue, 480 mm	1	4,62 €
2.35	ZSS 200K	Quick connect	1	7,26 €
2.36	7011091	Motor cable 670 mm	1	5,28 €
2.37	7011571	Multi-contact connector	2	0,33 €